

(19) World Intellectual Property Organization  
International Bureau



(43) International Publication Date  
18 March 2004 (18.03.2004)

PCT

(10) International Publication Number  
WO 2004/022684 A1

(51) International Patent Classification<sup>7</sup>: C11D 3/22, 1/22, 1/12, 3/12, 3/37, 3/20, 11/00, 17/00, A61K 7/50

(21) International Application Number:  
PCT/US2003/024870

(22) International Filing Date: 8 August 2003 (08.08.2003)

(25) Filing Language: English

(26) Publication Language: English

(30) Priority Data:  
10/236,017 5 September 2002 (05.09.2002) US

(71) Applicant: **KIMBERLY-CLARK WORLDWIDE, INC.** [US/US]; 401 N. Lake Street, Neenah, WI 54956 (US).

(72) Inventors: **RIBBLE, Brendon, F.**; 1308 Oneida Road, Menasha, WI 54956 (US). **CHRISTOFFEL, Sarah, L.**; W5771 Hearthstone Drive, Appleton, WI 54915 (US). **HANCOCK-COOKE, Catherine, M.**; 216 Bosworth Court, Neenah, WI 54956 (US). **HOCHHOLZER, Robert, C.**; 338 South Karlyn Street, Kimberly, WI 54136

(US). **KERINS, John, E.**; 529 Riford Road, Neenah, WI 54956 (US). **NELSON, Michael, J.**; 966 Evergreen Lane, Neenah, WI 54956 (US). **PROBST, Timothy, J.**; 1140 Christopher Drive, No. 5, Neenah, WI 54956 (US). **RIEGERT, Joseph, R.**; 305 Wittlin Drive, Black Creek, WI 54106 (US). **SOJKA, Marci, E.**; 2179 East Prairie Creek Drive, Neenah, WI 54956 (US). **STAVINOHA, Emil, Sr.**; 208 Lower La Coste Road, Castroville, TX 78009 (US). **THOMACK, Vickie, M.**; 959 Seventh Street, Menasha, WI 54956 (US).

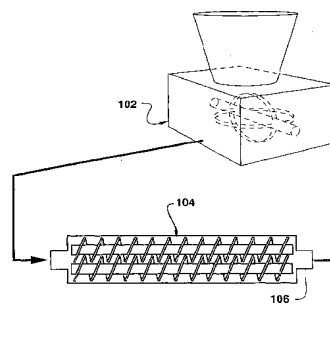
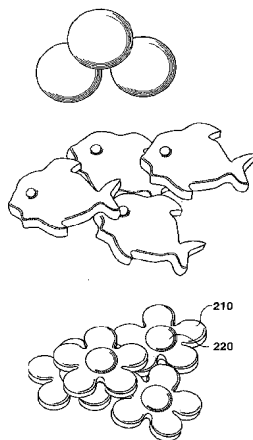
(74) Agents: **MANGELSEN, Christina, L.** et al.; DORITY & MANNING, P.A., P.O. Box 1449, Greenville, SC 29602-1449 (US).

(81) Designated States (*national*): AE, AG, AL, AM, AT, AU, AZ, BA, BB, BG, BR, BY, BZ, CA, CH, CN, CO, CR, CU, CZ, DE, DK, DM, DZ, EC, EE, ES, FI, GB, GD, GE, GH, GM, HR, HU, ID, IL, IN, IS, JP, KE, KG, KP, KR, KZ, LC, LK, LR, LS, LT, LU, LV, MA, MD, MG, MK, MN, MW, MX, MZ, NI, NO, NZ, OM, PG, PH, PL, PT, RO, RU, SC, SD, SE, SG, SK, SL, SY, TJ, TM, TN, TR, TT, TZ, UA, UG, UZ, VC, VN, YU, ZA, ZM, ZW.

(84) Designated States (*regional*): ARIPO patent (GH, GM, KE, LS, MW, MZ, SD, SL, SZ, TZ, UG, ZM, ZW),

[Continued on next page]

(54) Title: EXTRUDED CLEANSING PRODUCT



(57) Abstract: The present invention is directed to a personal cleansing product which can be sized as a single use personal cleansing product. The cleansing product is an extruded foam product which can disintegrate upon contact with water when used in the standard fashion to wash. As the foam disintegrates, the cleansing agent held in the foam matrix is released. The disintegration of the product can take place slowly, over a period of time such that when an individually sized cleanser is used to scrub until it completely disintegrates, scrubbing duration is long enough to ensure desired levels of cleanliness have been attained. Alternatively, the product can disintegrate immediately, and release all of the soap at essentially one time. The product is an extruded foam expanded from a mixture of a natural starch, a nucleating agent, a water soluble disintegrant, a blowing agent, a water soluble polymer, and a soap base. Optionally, the foam can include a destructured starch, natural, dyes, fragrances, and the like to obtain specific product characteristics.

WO 2004/022684 A1



Eurasian patent (AM, AZ, BY, KG, KZ, MD, RU, TJ, TM),  
European patent (AT, BE, BG, CH, CY, CZ, DE, DK, EE,  
ES, FI, FR, GB, GR, HU, IE, IT, LU, MC, NL, PT, RO,  
SE, SI, SK, TR), OAPI patent (BF, BJ, CF, CG, CI, CM,  
GA, GN, GQ, GW, ML, MR, NE, SN, TD, TG).

**Published:**

— with international search report

— before the expiration of the time limit for amending the  
claims and to be republished in the event of receipt of  
amendments

For two-letter codes and other abbreviations, refer to the "Guid-  
ance Notes on Codes and Abbreviations" appearing at the begin-  
ning of each regular issue of the PCT Gazette.

## EXTRUDED CLEANSING PRODUCT

### Background of the Invention

One of the most effective methods found to date for limiting the spread of  
5 communicable disease is through effective personal cleaning, particularly through  
thorough hand washing. Thorough hand cleaning includes not only washing often  
with a suitable cleanser, but also washing for a period of time long enough to  
ensure sanitary conditions have been attained.

Many soaps and other detergent cleansers can provide the desired levels of  
10 hygiene if used correctly. However, these cleansers are usually supplied to the  
public in bar or liquid form, and people, particularly children, often give only a  
 cursory wash, and therefore don't clean as thoroughly as required to remove dirt,  
grime and/or disease causing agents.

In one attempt to address such problems, liquid cleansers have been  
15 developed which change color after a certain amount of time spent scrubbing.  
Such cleansers tend to be expensive, however, and are primarily directed toward  
medical applications, such as surgical scrubbing applications. Thus, a need exists  
for a cleaning product which can be moderately priced and encourage desired  
scrubbing time, even when used by children.

20 Another problem experienced with cleansers today involves difficulties in  
handling the cleanser as well as the unsightliness around the sink area caused by  
the cleansers themselves. For example, when using a bar soap, not only can the  
bar itself become unsightly as it is used slowly over time, but soap residue on the  
soap dish or tray and the sink itself can also build up, causing an unsightly mess.  
25 Bar soaps are also notoriously slippery and difficult to hold onto when wet. Liquid  
cleansers also can cause problems. For example, inadvertent release of excess  
cleanser from the dispenser can lead not only to soap building up in and around  
the sink, but also on the bottle itself, causing the bottle to become slick and difficult  
to hold as well as messy. Liquid cleanser dispensers also tend to become  
30 clogged, due to build up of the liquid at the dispenser outlet.

As such, a further need exists for a cleanser which can be delivered to the consumer in a form which can provide the desired cleaning action without causing untidiness in or around the sink.

Expanded foam is a material which has been used to produce a large  
5 variety of articles. For example, expanded polystyrene foam has been used to form packing material and light weight disposable articles such as plates, cups, serving trays, etc. Recently, foams have been developed which are more environmentally friendly, i.e. biodegradable, than the petroleum based foams of the past. In certain instances, these biodegradable foams can include a destructured  
10 starch.

Destructured starch is starch which has had the crystalline structure destroyed and has become thermoplastic in nature. A starch can be destructured by various methods involving combinations of pressure, heat, and mechanical work in the presence of plasticizers and/or destructuring agents such as urea and  
15 alkaline hydroxides. For example, starch can be heat treated above the glass transition temperature and melting points of its components, generally above about 120°C, in the presence of destructuring agents to become destructured starch. For additional information concerning destructured starch, see, for example, U.S. Patent No. 5,569,692 to Bastioli, et al. which is incorporated herein by reference as  
20 to all relevant matter.

U.S. Patent No. 6,184,261 to Biby, et al. which is incorporated herein by reference as to all relevant matter, discloses a water-resistant degradable foam that is an extrudate of a mixture of a thermoplastic polymer, destructured starch, and a plasticizer.

25 The present invention provides an extruded cleansing product formed of an expanded foam material that overcomes problems with cleansers of the past. In certain embodiments, the foam matrix can include a destructured starch.

### **Summary of the Invention**

In one embodiment, the present invention is directed to a novel personal  
30 cleansing product. For example, the personal cleansing product can be an extruded cleansing product which can disintegrate as it is used in conjunction with water to clean. As the product disintegrates, it can release a cleanser. In one embodiment, before the product disintegrates completely, it can provide a timed or

time controlled duration of scrubbing which can ensure desired levels of cleanliness after use.

In general, the extruded cleansing product of the present invention can be formed from a mixture which includes a natural starch, a water soluble  
5 disintegrant, a soap base, a water soluble polymer, a nucleating agent, and a blowing agent. The mixture can be extruded to form the expanded foam of the invention. As the foam disintegrates during the washing process, the soap base can be released from the foam.

The water soluble disintegrant can be a dextrin, such as maltodextrin for  
10 example. In one embodiment, from about 20% to about 65% by weight of the components fed to the extruder can be a water soluble disintegrant.

In one embodiment, the blowing agent can be an alcohol, such as ethanol. Generally, from about 5% to about 10% by weight of the mixture in the extruder can be a blowing agent.

The soap base can be any desired soap base known in the art which can be  
15 extruded with the other components. For example, a fatty acid soap or other types of surfactant detergents, such as synthetic detergents, can be used as the soap base which is delivered as the foam disintegrates. The mixture in the extruder can generally include between about 10% to about 30% by weight soap base.

A water soluble polymer is also included in the mixture which is extruded to  
20 form the expanded foam product of the present invention. In one embodiment, the water soluble polymer can be a water soluble thermoplastic polymer such as, for example, polyvinyl alcohol. In general, the mixture can include between about 5% and about 10% water soluble polymer.

The mixture can also include between about 5% and 10% by weight  
25 nucleating agent. In one embodiment, the nucleating agent can be talc, for example a food grade talc.

The mixture also can include a natural starch. In one embodiment the  
mixture in the extruder can be between about 3% and about 10% natural starch.

Optionally, other additives can be included in the mixture to be extruded.  
30 For example, up to about 25% of the mixture in the extruder can be a destructured starch, if desired.

Other possible additives to the mixture can include additives generally known in the art such as, for example, dyes, fragrances, emollients, antioxidants, vitamins, etc. Moreover, desired additives can be either added directly to the mixture or optionally can be encapsulated, such that they are released later, for  
5 example when the product is used in the presence of water and/or under pressure due to scrubbing action.

In one embodiment, the cleansing product can be an abrasive cleansing product and abrasion enhancing additives can be included in the mixture to be extruded.

10 As the product is used to clean, the foam can disintegrate and release the soap base. In one embodiment, the time for disintegration can be less than about 2 minutes. The disintegration can be triggered by contact time with water, water temperature, scrubbing pressure, or any combination of the three.

In another possible embodiment, the present invention is directed to a  
15 process for producing an extruded cleansing product. In general, the process includes combining a variety of components to form a mixture and then expanding the mixture by passage through an extruder to form a foam. For example, in one embodiment, between 0% and about 25% by weight destructured starch, between about 20% and about 65% by weight water soluble disintegrant, between about  
20 10% and about 30% by weight soap base, between about 5% to about 10% by weight water soluble thermoplastic polymer, between about 5% and about 10% by weight nucleating agent, between about 3% and about 10% natural starch, and between about 5% and about 10% by weight alcohol can be mixed and then expanded to form an extruded cleansing product.

25 The components can be mixed in a mixer, such as a Hobart® mixer, for example, and then transferred to the extruder, or alternatively can be added directly to the extruder and mixed within the extruder, as desired. Any suitable extruder can be used, for example, either a single screw or a twin screw extruder can be used. For instance, a conical twin screw extruder can be used in the  
30 process. In one embodiment, a co-extrusion process can be used, and the foamed product can include zones of different materials.

In general, the extruder can operate at a screw speed of between about 50 and about 250 rpm. Additionally, the feed zone of the extruder can be between

about 80°C and about 130°C and the nozzle temperature of the extruder can be between about 100°C and about 175°C.

The extruded cleansing products of the present invention can be of any desired shapes and orientations. For example, relatively flat shapes or  
5 alternatively more three dimensional shapes can be formed. In one embodiment, several individual foamed product pieces can be attached together to form a conglomerate of individual products which together form a large structure.

#### **Brief Description of the Figures**

A full and enabling disclosure of the present invention, including the best  
10 mode thereof to one of ordinary skill in the art, is set forth more particularly in the remainder of the specification, including reference to the accompanying figures in which:

Figure 1 is one embodiment of a process for producing the extruded cleansing product of the present invention; and

15 Figures **2a**, **2b**, and **2c** are examples of possible embodiments of the present invention.

Repeat use of reference characters in the present specification and drawings is intended to represent same or analogous features or elements of the present invention.

#### **Detailed Description**

Reference now will be made in detail to embodiments of the invention, one or more examples of which are set forth below. Each example is provided by way of explanation of the invention, not limitation of the invention. In fact, it will be  
25 apparent to those skilled in the art that various modifications and variations can be made in the present invention without departing from the scope or spirit of the invention. For instance, features illustrated or described as part of one embodiment, can be used on another embodiment to yield a still further embodiment. Thus, it is intended that the present invention cover such modifications and variations as come within the scope of the appended claims and  
30 their equivalents.

In general, the present invention is directed to a novel personal cleansing product. More specifically, the present invention discloses an extruded cleansing

product and a process for producing the extruded cleansing product. The extruded cleansing product can be an extruded foam that can disintegrate while in contact with water as it is used to scrub the hands, face, body, etc.

In one embodiment, the product can be sized for a single use. In this  
5 embodiment, as the product is used to wash, the foam product can disintegrate. In this embodiment, the washing process can continue until the product has completely disintegrated. The product can be specifically designed for a desired period of disintegration, depending upon the desired product characteristics. For example, the product can be designed to disintegrate relatively slowly, such as  
10 over a period of about 2 minutes or longer, in those embodiments wherein a longer, more thorough scrubbing time is desired, such as medical applications. Alternatively, the product can be designed to disintegrate in a shorter amount of time, down to an essentially immediate disintegration, in those embodiments where a quick wash is desired. In general, the extruded cleanser of the present  
15 invention can disintegrate when in contact with water and/or scrubbing pressure in less than about 2 minutes.

The extruded cleansing product of the present invention generally includes a foam formed of a disintegrant, a water soluble polymer, a nucleating agent, a natural starch, and a soap base, which are mixed and then expanded with a  
20 blowing agent via an extrusion process to form a foam matrix. In one embodiment, the mixture can also include a destructured starch.

The relative amounts of the components can vary depending on the desired product characteristics. For example, the relative amounts of destructured starch and the disintegrant can be balanced to not only aid in control of the rate of  
25 disintegration of the foam, but also to influence the quantity and size of any foam particles remaining after disintegration.

Other components can optionally be included in the foam to further refine the characteristics of the product, such as the disintegration characteristics for instance. Other optional additives, in addition to destructured starch, can include,  
30 for example, dyes, vitamins, emollients, abrasive enhancing additives, encapsulated additives, and the like, which can impart desired qualities to the cleansing product.



As the foamed product disintegrates, the various components can either dissolve completely and be washed away with the wash water, or can be in small enough particles after disintegration to flow with the water and enter the sewage system without causing harm to drains or waste water treatment facilities. The relative amounts of the different components and the overall formulation of the product can be varied to affect disintegration rate. For example, the cleaning product can be designed to disintegrate based upon time of contact with water, temperature of the contact water, pressure due to the scrubbing motion, or some combination thereof. The relative amounts of components as well as the optional additives included in the product can be varied to obtain the desired disintegration characteristics. The component make-up can also affect other characteristics of the cleanser such as grittiness during use, color, odor, and texture of the foam, for example.

The cleansing product is an expanded foam product such as can be produced through an extrusion process. In general, this involves combining the various components until well mixed and extruding through a nozzle. The extrudate expands as it exits the nozzle and the foamed product is thus produced. The foamed product can be formed into any desired shape. For example, a relatively flat sheet of extrudate can exit the extruder which can then be further processed. In one embodiment, flat shapes such as stars, fish, cartoon characters or any other shape can be punched from a flat sheet of extrudate. Such shapes can be further defined or enhanced, if desired, such as with an embossing process. Alternatively, a more three dimensional foam, such as an endless cylindrical rod can be formed at the nozzle. This can then be cut or otherwise shaped into more three dimensional product shapes such as balls, crayon-shaped cylinders, cloud puffs, popcorn, candy shapes, and the like. Three dimensional forms can also be created by molding the extrudate, for example by injection molding the extrudate.

The foamed product of the present invention can include a water-soluble thermoplastic polymer which is added to the extruder mixture. In one embodiment, a water-soluble thermoplastic polymer such as polyvinyl alcohol can be added to the mixture as a solid and extruded with the other components of the foamed cleanser. For example, the polyvinyl alcohol can be added in solid form with

average particle diameter less than about 100 micrometers. In one embodiment, polyvinyl alcohol with an average particle diameter of between about 40 and about 90 micrometers can be added to the mixture. A water-soluble thermoplastic polymer can impart certain desired qualities to the foam such as, for example, improved compressibility and plasticity of the dry product, and faster and more complete disintegration of the foam. In general, a water soluble polymer can make up between about 5% and about 10% by weight of the extruder mixture. In one embodiment, the water soluble polymer can make up about 7.7% by weight of the mixture.

10 In order to disintegrate as desired in the presence of water, the foam can include a disintegrant. A disintegrant can be any non-polymeric water soluble component which can interfere with cross-linking of the polymers forming the foam matrix. In one embodiment, dextrin can be added to the mixture as a disintegrant. Other disintegrants are possible, however, such as, for example, sugars, such as  
15 mannitol, sorbitol, sucrose, lactose, fructose, maltose; salts such as sodium chloride, potassium chloride, calcium sulfate; the amino acids alanine, arginine, asparagine, aspartic acid, cysteine, glutamic acid, glutamine, glycine, histidine, isoleucine, leucine, lysine, methionine, phenylalanine, proline, serine, threonine, tryptophan, tryosine, and valine; buffering agents such as citric acid, sodium  
20 citrate, potassium citrate, succinic acid, fumaric acid, sodium acetate, sodium phosphate monobasic, tartaric acid, sodium potassium tartrate; surface active agents such as poloxamers, polysorbates, lecithin and the like; and effervescing couples such as citric acid blended with sodium bicarbonate, and similar blends. Malodextrin, having a molecular weight of about 400 to 4000 grams per mole, is  
25 one example of a low molecular weight polymeric material useful as a disintegrant in this invention.

In one embodiment of the present invention maltodextrin having an average particle diameter of less than about 100 micrometers can be used as the disintegrant. More specifically, maltodextrin having an average particle diameter  
30 between about 40 micrometers and about 90 micrometers can be used, though larger disintegrants can alternatively be added to the extruder mixture.

The amount of the disintegrant in the cleansing product can be adjusted to obtain desired disintegration characteristics in the final foamed product. For

example, increasing the amount of disintegrant while not including any destructured starch in the mixture can create a product which can disintegrate essentially upon contact with water, releasing the soap base from the foam very quickly. Conversely, lesser amounts of disintegrant can be used, such as in those  
5 embodiments wherein the product disintegrates more slowly, requiring the user to wash more vigorously or for a longer period of time before the single use product is completely disintegrated and all of the soap base is released from the foam. In one embodiment, between about 20% and 65% by weight of the mixture to be extruded can be a disintegrant. In one embodiment, between about 30% and  
10 about 50% by weight of the mixture can be a disintegrant. In one embodiment, the disintegrant can make up about 38.5% by weight of the extruder mixture.

The soap base delivered to the user as the foam disintegrates can be any suitable soap base and can be designed or chosen with specific product use in mind. For instance, any desired soap base ranging from an aggressive, antiseptic  
15 soap as is used in a clinical setting, to a gentle, mild detergent for use on sensitive skin, can be delivered to the user as the foam disintegrates. For example, the soap base can be a soap, such as a fatty acid soap. Alternatively, the soap base can be any other detergent known to be applicable in personal cleansing products. For example, surfactant systems as are known in the art can be used as the  
20 desired soap base. Possible surfactants or surfactant systems can include known anionic, nonionic, zwitterionic or amphoteric surfactants. In one embodiment, synthetic detergent preparations can be used as the soap base. For instance, synthetic detergent systems including sodium cocoyl isethionate, sold as Jordapon® CL prilled isethionate surfactants available from the BASF Corporation,  
25 sodium dodecylbenzene sulfonate, sold under the name Nacconol® by the Stepan Company, or sodium olefin sulfonate sold as Bio-Terge® obtainable from the Stepan Company, can be suitable soap bases in the cleansing product of the present invention. As desired, either a single soap base can be used, or alternatively a combination of different soap bases can be used together in the  
30 cleansing product.

Generally, the soap base of the present invention can make up from about 10% to about 30% by weight of the mixture in the extruder. More specifically, the soap base component of the mixture can be from about 15% to about 25% by

weight of the mixture. In one embodiment, the extruder mixture can include about 22.1% by weight soap base.

The mixture in the extruder can also contain a blowing agent. The blowing agent can either be a gas or a liquid which is superheated in the extruder. The blowing agent functions to expand the product and help to form the foam as it exits the extruder nozzle. For example, a liquid blowing agent can be superheated by compression of the extruder screw and cause expansion of the foam at the nozzle. Cell size and amount of total expansion can be affected by the amount and characteristics of the blowing agent added to the mixture. In the past, water has primarily been the liquid blowing agent of choice in foam forming technology. However, in the present invention, due at least in part to the presence of the soap base in the product, blowing agents other than water are preferred to obtain desired expansion of the foam. For example, blowing agents including various gases such as carbon dioxide can be introduced to the extruder just prior to final extrusion at the nozzle.

Alternatively, a liquid blowing agent, such as an alcohol, can be added to the mixture in the extruder. For example, ethanol can be used as a liquid blowing agent added to the extruder mixture. In one embodiment, from about 5% to about 10% by weight of the mixture in the extruder can be a liquid blowing agent, such as, for example, ethanol. In one embodiment, the mixture can include about 7.7% blowing agent.

The cleansing product of the present invention can also included a natural starch in the matrix. Natural starch is somewhat soluble in water, and as such can aid in disintegration of the cleanser during use. In one embodiment, when quick, temperature based disintegration of the foam carrier is desired, it may be beneficial to increase the amount of natural starch in the extruder mixture.

In general, the mixture can include between about 2% and about 10% natural starch. In one embodiment, mixture can be about 3.8% by weight natural starch. In addition to affecting disintegration characteristics of the product, natural starch has inherent expansion characteristics upon extrusion and can also help give the foam a fairly rigid structure.

The natural starch used can be any starch of natural or plant origin. For example, starch extracted from plants such as corn, wheat, potato, rice, sorghum,

tapioca, or various grains can be used. Generally, a natural starch can be granulated into particles before it is mixed with the other components of the cleansing product. For example, natural starch can be granulated into particles having an average particle diameter of less than about 100 micrometers prior to being mixed with the other components. In one embodiment, the starch can be granulated to an average particle diameter of between about 40 micrometers and about 90 micrometers.

The foamed cleanser can also contain a nucleating agent. Nucleating agents are small particulate materials which can initiate the development of air cells and can help to control the cell size formed in the foam. A nucleating agent can also improve the texture of the foam and provide the dry foam with a smoother surface. In general, the mixture can be between about 5% and about 10% by weight nucleating agent. In one embodiment, the mixture can be about 7.7% nucleating agent. In one embodiment, a nucleating agent can be a food grade talc. For example, food grade talc having an average particle diameter of less than about 300 micrometers can be used. In one embodiment, talc having an average particle diameter between about 50 and about 200 micrometers can be used. The nucleating agent need not be food grade talc, for example, in one embodiment, the nucleating agent can be any grade talc which will not present a health hazard when used with a cleanser in expected practice.

Optionally, the foam can include destructured starch. The destructured starch component of the product can be from any starch of natural or plant origin which is composed essentially of amylose and/or amylopectin. The starch can be extracted from any suitable plant, such as, for instance, potatoes, rice, maize, tapioca, or various cereals, such as rye, wheat, oats, etc. Chemically modified starches and starches of different genotypes can also be used, if desired. Additionally, ethoxy derivatives of starch, starch acetates, cationic starches, oxidized starches, cross-linked starches and the like may also be used. The destructured starch which is added to the extruder mixture can have an average particle size of any suitable diameter. For example, the destructured starch can have an average particle size greater than about 300 micrometers. In one embodiment, the destructured starch can have an average particle diameter between about 300 micrometers and about 1 millimeter.

Destructured starch can become highly cross-linked in the foam product and can aid in maintaining the open structure of the extrudate after expansion. Being highly cross-linked, it can also be more resistant to dissolution in water than natural starch, and can be slower to disintegrate than other components of the cleansing product. As such, the greater the amount of destructured starch in the product, the slower the foam can disintegrate. Therefore, when producing a product in which a longer duration of scrubbing prior to disintegration is desired, it may be beneficial to increase the amount of destructured starch in the mixture which will be extruded to form the foam. Additionally, as the foam breaks down and disintegrates during scrubbing, small particles of destructured starch can maintain their integrity. The greater the amount of destructured starch in the foam, the larger and more numerous these remaining particles can be. As such, certain embodiments of the invention, in which a more abrasive cleansing product is desired, can include relatively high levels of destructured starch in the foam mixture.

Generally, up to about 25% by weight of the mixture in the extruder can be destructured starch, depending on the characteristics desired in the final product. In one embodiment, the mixture in the extruder can comprise between 0% and about 23% destructured starch. In one embodiment the mixture in the extruder can include about 20.3% destructured starch.

Other additives can also be included in the cleansing product of the present invention as desired. For example, dyes, emollients, fragrance, oils, vitamins, pH adjusters, antimicrobial agents, antioxidants, and the like can be included in the cleanser. In addition, certain embodiments of the invention can include various additives to increase the abrasiveness of the cleanser. For example, abrasive enhancing particulates, such as microspheres or other granules such as pumice or silica can be included in the cleanser.

Microspheres can be from about 10 micrometers to about 1 mm in diameter and typically have a shell thickness of from about 1 to about 5 micrometers, while macrospheres (which can also be used in some embodiments) can have diameters greater than about 1 mm. Such materials can include microbeads of metal, glass, carbon, mica, quartz or other minerals, plastic such as acrylic or phenolic, including acrylic microspheres known as PM 6545 available from PQ

Corporation of Pennsylvania, and hollow microspheres such as the cross-linked acrylate SunSpheres™ of ISP Corporation (Wayne, New Jersey) and similar hollow spheres as well as expandable spheres such as Expancel® microspheres (Expancel, Stockviksverken, Sweden, a division of Akzo Nobel, Netherlands), and  
5 the like.

The cleansing product can also be formulated with additives which can change the characteristics of the product as it disintegrates. For example, encapsulated additives can be added to the mixture. Encapsulated additives can be released as a function of time, temperature, and/or pressure during the  
10 scrubbing process. Possible encapsulated additives can include, for example, dyes, emollients, or fragrances. Additionally, time delayed additives which possess an interval for change after contact with water can be included such that product characteristic such as the color or the fragrance, for example, change as the product disintegrates with use. The trigger for such time delayed changes can  
15 be tied to changes encountered during use such as, for instance, temperature changes, pressure variations, pH changes, mixing of different components during scrubbing, and the like.

In one embodiment, the mixture added to the extruder to form the extruded cleansing product of the present invention can include between 0% to about 25%  
20 destructured starch, about 20% to about 65% by weight dextrin, about 10% to about 30% by weight synthetic detergent, about 5% to about 10% by weight ethanol, about 5% to about 10% by weight food grade talc, about 5% to about 10% by weight polyvinyl alcohol, about 2% to about 10% by weight natural starch and up to about 5% by weight fragrance.

Figure 1 illustrates one possible embodiment of a process for forming the  
25 extruded cleansing product of the present invention. In this embodiment, the components which can be expanded via the extruder **104** can first be combined in a mixer **102**. Any suitable mixer can be used to combine the component ingredients of the mixture. For example, in one embodiment a double ribbon mixer  
30 **102**, as illustrated in Figure 1, can be used. Other styles of mixers could alternatively be used, however. For example, a food mixer such as those sold by the Hobart® corporation could be used. In one embodiment, a Hobart® Model

A120-2 mixer can be used to mix the components prior to the mixture being fed to an extruder. Alternatively, a separate mixing step can be avoided, and the components can be added directly to the extruder for mixing within the extruder itself prior to expansion at the nozzle.

5           There is no particular order by which the components must be added to the mixer or the extruder. The mixer can be run at ambient temperature for a long enough period to thoroughly mix all of the components. For example, the components can be mixed in the mixer **102** for a time between about 1 minutes and about 15 minutes to obtain the desired extruder feed. The extruder feed can usually be quite dry. For example, the extruder feed can have a moisture content of between about 4% and about 10%. In one embodiment, the extruder feed can have a moisture content of between about 7.24% and about 7.41%.

10           The extruder feed can usually be fed through the extruder **104** by means of a screw feed, though this is not required in the present process. For example, the extruder can be a single screw extruder such as those available from the  
15           Randcastle Corporation, or a twin screw extruder such as those available, for example, from the Wanger or Brabender Corporations.

          In one embodiment, a twin screw extruder, such as, for example, a conical twin screw extruder, can be used. A conical twin screw extruder can thoroughly  
20           mix the feed and provide a foam with a very uniform structure.

          When a screw extruder is used for the present process, whether a single or twin screw extruder is used in the process, the screw speed can generally be between about 50 and about 250 rpm, more specifically between about 100 and about 200 rpm. The residence time of the mixture in the extruder can be between  
25           about 15 seconds and about 2 minutes.

          Typically, an extruder can be described with four zones, a feed zone, a metering zone, a compression zone and a die section. In the present invention, the feed zone can generally have a temperature of between about 80°C and about 145°C, more specifically about 100°C. The remaining zones can be at a higher  
30           temperature, such as between about 100°C and about 175°C. Higher temperatures than about 175°C could cause components of the foam to char and should be avoided. In one embodiment, the temperature at the nozzle **106** of the



extruder can be about 165°C. As the mixture passes through the extruder, it becomes pressurized to between about 300 psi and about 1500 psi. Once the mixture exits the hot extruder and enters into ambient temperature and pressure, it can expand and form a foam.

5           The amount of expansion obtained in the foam upon exit from the extruder can depend upon a combination of several factors. For example, the amount of the blowing agent added to the mixture can affect the amount of expansion. Additionally, the amount of the other components added to the mixture, the temperature and pressure profile of the extruder, and the extruder screw speed  
10 can all affect expansion characteristics of the foam. Greater expansion in the foam as it exits the extruder tends to provide a cleansing product with more complete disintegration upon use, i.e., a single-use sized product which can disintegrate and leave little or no particles of product when combined with water and scrubbing action for a period of time.

15           In those embodiments wherein the extruder nozzle **106** is round, expansion values can be obtained merely by comparing the nozzle diameter to the foam diameter after expansion. Equivalent means can be utilized for other nozzle shapes. Generally, the cleansing products of the present invention can exhibit at least about 140% expansion upon extrusion. In one embodiment, the cleansing  
20 products can exhibit between about 140% and about 550% expansion upon extrusion.

          The nozzle **106** of the extruder can be any desired shape and can be designed to produce a cleansing product of any desired shape. For example, the nozzle **106** can be a slot, such as can produce a flat sheet of extrudate. The final  
25 product shape can then be punched from the extrudate, producing a flat cleansing product having the desired shape. If desired, in such an embodiment, additional details or shaping can be added using any known figure shaping process, such as, for example, an embossing process. The flat fish figure illustrated in Figure **2B** and the flowers shown in Figure **2C** illustrate two possible embodiments of  
30 relatively flat product shapes, though any shapes could be formed: stars, moons, sun, clouds, animals, letters, cartoon characters, just to name a few.

Alternatively, the extruder nozzle **106** could have a more complex cross-sectional shape, and the final product shape could be formed by merely slicing the extrudate into the desired lengths as it exits the extruder. Additional molding of the extrudate can also be done to produce more complex, three dimensional shapes, as desired. For example, spheres, such as those illustrated in Figure **2A** could be formed. Three dimensional shapes could also be formed using other known processing techniques, such as, for example injection molding processing techniques. Any desired shapes could be formed. For example, the individual cleansing products could resemble common items such as food products, for instance popcorn or candy, crayons, clouds, cotton balls, and the like.

In one embodiment of the present invention, several individual-sized cleansing products can be combined together to form one large conglomerate object. For example, several spherical products could be connected, such as with a small amount of water at the point of contact, to meld the pieces together to form a single combined arrangement to resemble, for example, a mass of interlocking soap bubbles or a cluster of grapes. A single individual product piece could then be pulled from the cluster when used to wash. The individual shapes, for example individual 'bubbles' or 'grapes' could additionally be of a variety of colors and fragrances, characteristics which could either be apparent when the product is dry or alternatively could become apparent only when the product becomes wet. More complex shapes could also be formed of multiple different shapes attached together, such as large flowers, animals, or the like, from which a single piece can be pulled off for washing.

In one embodiment of the present invention, a co-extrusion process can be used, and the cleansing product thus produced can be a multi-zone cleansing product with one zone of a different material than other zones. For example, a cleansing product can be produced in a desired shape, such as a flower as illustrated in Figure **2C**, with the outer zone of the flower **210** one type of extrudate, and the inner zone of the flower **220** an extrudate of different characteristics, such as a different color, for example. Alternatively, one of the zones could be formed of a different material altogether, other than the foam extrudate of the present invention. In one embodiment, as the two zones disintegrate and their

components mix during scrubbing, characteristics of the product, such as the color and/or fragrance, for example, could change.

Reference now will be made to various embodiments of the invention, examples of which are set forth below. Each example is provided by way of explanation of the invention, not as a limitation of the invention. In fact, it will be  
5 apparent to those skilled in the art that various modifications and variations can be made of this invention without departing from the scope or spirit of the invention.

### **Example 1**

Mixtures were prepared in a Hobart® model A120-2 mixer and fed to a  
10 conical twin screw extruder. The mixtures were prepared with component amounts as described in Table 1, below. The extruder was operated at a variety of screw speeds and nozzle exit temperatures as indicated in the table. The soap base was a synthetic detergent combination of Nacconol® available from the Stepan Corporation (average particle size of less than about 1mm) and Jordapon®  
15 CL prilled isethionate available from the BASF Corporation (average particle size of less than about 1mm). The nozzle was circular with a diameter of 3mm for all samples. The characteristics of the lather were determined through a subjective determination by a panel of researchers and classified as defined as follows:

Poor: Little to no bubbles; very watery, thin soap suds.  
20 Fair: Small and few bubbles; watery, thin soap suds.  
Good: More and larger bubbles than those in Fair classification; some body to the soap suds  
Great: Many bubbles, thick soap suds

The remaining particulate matter after disintegration of the foam was  
25 classified as follows through visual assessment of amount/number of particles and size of particle on a subjective basis.

Very fine: Little to no grit with almost unnoticeable size of grit.  
Fine: Very small, very fine grit.  
Medium: Noticeably sized grit.  
30 Large: Larger, very noticeable grit or lumps of cleanser.  
Whole: Little disintegration; large, almost whole lump of cleanser.

**TABLE 1**

<b>Sample</b>	<b>1</b>	<b>2</b>	<b>3</b>	<b>4</b>	<b>5</b>	<b>6</b>	<b>7</b>	<b>8</b>
Soap base (g)	75	85	95	105	115	115	115	115
talc (g)	40	40	40	40	40	40	40	40
PVA (g)	40	40	40	40	40	40	40	40
Destructured Starch (g)	135	135	135	135	135	135	135	135
Dextrin (g)	200	200	200	200	200	200	200	200
Ethanol (g)	40	40	40	40	40	40	40	40
Natural Starch (g)	20	20	20	20	20	20	20	20
Temperature At Nozzle (°C)	165	165	165	165	165	170	170	170
Screw Speed (RPM)	160	160	160	160	160	190	160	180
Foam Diameter (mm)	7.82	8.82	8.5	7.21	4.41	7	6.17	6.95
Lather	Good	Fair	Great	Great	Good	Fair	Fair	Good
Remaining Particulate	Fine	Med	Very Fine	Very Fine	Med	Med	Large	Fine

**Example 2**

Mixtures were prepared and extruded as in Example 1, above. Component amounts added to the mixture and product characterizations are described in Table 2, below.

**TABLE 2**

SAMPLE	9	10	11	12	13	14	15	16	17	18
Soap base (g)	115	115	115	115	115	115	115	115	115	115
talc (g)	40	40	40	40	40	40	40	40	120	120
PVA (g)	40	40	40	40	40	40	40	40	40	40
Destroyed Starch (g)	135	135	65	65	100	100	135	135	135	135
Dextrin (g)	200	200	200	200	200	200	250	250	40	40
Ethanol (g)	40	40	40	40	40	40	40	40	40	40
Natural Starch (g)	20	20	90	90	55	55	20	20	100	100
Temperature At Nozzle (°C)	170	170	170	170	170	170	170	170	170	170
Screw Speed (RPM)	160	190	160	190	160	190	160	190	160	190
Foam										
Diameter (mm)	6.8	8.22	6.77	6.17	6.47	7.2	8.62	10.09	5.3	5.2
Lather	Poor	Fair	Good	Good	Good	Good	Poor	Good	Poor	Good
Remaining Particulate	Med	Med	Fine	Very Fine	Fine	Fine	Large	Large	Whole	Whole

**Example 3**

Mixtures were prepared and extruded as in Example 1, above. Component amounts added to the mixture and product characterizations are described in Table 3, below. Variations in nozzle diameter were used in the samples, as shown below in the table.

**TABLE 3**

Sample	<b>19</b>	<b>20</b>	<b>21</b>	<b>22</b>	<b>23</b>	<b>24</b>	<b>25</b>
Soap base (g)	115	115	115	115	115	115	115
talc (g)	40	40	40	40	40	40	40
PVA (g)	40	40	40	40	40	40	40
Destructured Starch (g)	65	65	65	65	65	65	30
Dextrin (g)	200	200	200	200	200	200	200
Ethanol (g)	40	40	40	40	40	40	40
Natural Starch (g)	20	20	20	0	55	90	20
Temperature At Nozzle (°C)	165	165	165	165	165	165	165
Screw Speed (RPM)	160	160	160	160	160	160	160
Nozzle (mm)	7	5	3	3	3	3	3
Remaining Particulate	Very Fine	Med	Med	Fine	Very Fine	Fine	Very Fine
Lather	Good	Good	OK	OK	Good	Good	Good

Mixtures were prepared and extruded as in Example 1, above. Component amounts added to the mixture and product characterizations are described in Table 4, below.

Example 4

TABLE 4

Sample	26	27	28	29	30	31	32	33	34	35	36	37	38	39	40	41
Soap Base (g)	95	95	95	95	95	110	110	110	110	110	115	115	115	115	115	95
Talc (g)	40	40	40	40	40	40	40	40	40	40	40	40	40	40	40	40
PVA (g)	40	40	40	40	40	40	40	40	40	40	40	40	40	40	40	40
Destroyed Starch (g)	65	100	135	135	135	65	100	135	135	135	65	100	135	135	135	135
Dextrin (g)	200	200	200	200	200	200	200	200	200	200	200	200	200	200	200	200
Ethanol (g)	40	40	40	40	40	40	40	40	40	40	40	40	40	40	40	40
Natural Starch (g)	20	20	20	55	90	20	20	20	55	90	20	20	20	55	90	20
Temperature At Nozzle (°C)	165	165	165	165	165	165	165	165	165	165	165	165	165	165	165	165
Screw Speed (RPM)	160	160	160	160	160	160	160	160	160	160	160	160	160	160	160	160
Lather	OK	OK	OK	OK	Gd	Gd	Gd	OK	OK	Gd	Gd	Gd	OK	OK	OK	OK
Remaining Particulate	d	Med	Fine	M/L	Fine	Med	Fine	Med	Med	Med	Very Fine	Fine	Large	Med	Large	L/M

**Example 5**

Mixtures were prepared and extruded as in Example 1, above. Component amounts added to the mixture and product characterizations are described in Table 5, below.

5

**TABLE 5**

<b>Sample</b>	<b>42</b>	<b>43</b>	<b>44</b>	<b>45</b>	<b>46</b>	<b>47</b>	<b>48</b>	<b>49</b>
Nacconol <sup>®</sup> (g)	98	98	98	98	98	98	98	98
Jordapon <sup>®</sup> (g)	17	17	17	17	17	17	17	17
Talc (g)	40	40	40	40	40	40	40	40
PVA (g)	40	40	40	40	40	40	40	40
Deconstructed Starch (g)	65	65	65	65	65	65	65	65
Dextrin (g)	200	200	200	200	200	200	200	200
Ethanol (g)	40	40	40	40	40	40	40	40
Natural Starch (g)	20	20	20	20	20	20	20	20
Fragrance (g)	None	None	None	None	None	None	5	10
Temperature At Nozzle (°C)	165	165	165	165	165	165	165	165
Screw Speed (RPM)	160	145	135	120	160	160		
Nozzle (mm)	3	3	3	3	2	7		
Product Diameter (mm)	5.3	9	7	5		8.5	3.5	4.25
Dissolves	Ok	Good	Ok	Ok		Poor	Ok	Poor

As can be seen by the results of the above described examples, the process of the present invention can produce an extruded cleansing product with a variety of characteristics. As such, the process can be adapted without undue experimentation to produce an extruded cleansing product according to any desired parameters such as, for example, rate of dissolution, suds characteristics upon dissolution, abrasiveness of the cleanser, aggressiveness of the cleanser, and the like.

These and other modifications and variations to the present invention may be practiced by those of ordinary skill in the art, without departing from the spirit and scope of the present invention, which is more particularly set forth in the appended claims. In addition, it should be understood that aspects of the various embodiments may be interchanged both in whole or in part. Furthermore, those of ordinary skill in the art will appreciate that the foregoing description is by way of



example only, and is not intended to limit the invention so further described in such appended claims.

5

10

15

20

25

30

**WHAT IS CLAIMED IS:**

1. An extruded foam cleansing product comprising:  
a water soluble disintegrant;  
a natural starch;  
5 a soap base;  
a nucleating agent;  
a water soluble polymer; and  
wherein said foam disintegrates when the foam is in contact with  
water such that the soap base is released from the foam as the foam disintegrates.
- 10 2. The cleansing product of claim 1, comprising between about 5% and  
about 10% by weight nucleating agent.
3. The cleansing product of claim 1, wherein the nucleating agent  
comprises talc.
4. The cleansing product of claim 3, wherein the talc comprises food  
15 grade talc.
5. The cleansing product of claim 1, wherein the product comprises  
between about 5% and about 10% water soluble polymer.
6. The cleansing product of claim 5, wherein the water soluble polymer  
comprises polyvinyl alcohol.
- 20 7. The cleansing product of claim 1, wherein the product comprises  
between about 2% and about 10% natural starch.
8. The cleansing product of claim 1, wherein the product comprises  
between about 20% and about 65% by weight water soluble disintegrant.
9. The cleansing product of claim 1, wherein the water soluble  
25 disintegrant comprises dextrin.
10. The cleansing product of claim 9, wherein the water soluble  
disintegrant comprises maltodextrin.
11. The cleansing product of claim 1, wherein the foam disintegrates in  
less than about 2 minutes.
- 30 12. The cleansing product of claim 1, wherein the foam disintegrates  
over a period of time which is dependent upon the temperature of the water.
13. The cleansing product of claim 1, wherein the cleansing product  
comprises between about 10% and about 30% by weight soap base.

14. The cleansing product of claim 1, wherein said soap base comprises a synthetic detergent.

15. The cleansing product of claim 1, wherein said soap base comprises a fatty acid soap.

5 16. The cleansing product of claim 1, further comprising an additive selected from the group consisting of dyes, fragrances, emollients, vitamins, antioxidants, and mixtures thereof.

17. The cleansing product of claim 1, further comprising an encapsulated additive.

10 18. The cleansing product of claim 1, further comprising an abrasion enhancing additive.

19. The cleansing product of claim 1, further comprising destructured starch.

15 20. The cleansing product of claim 19, wherein said product comprises less than about 25% by weight destructured starch.

21. An extruded foam cleansing product formed from a mixture comprising:

a water soluble disintegrant;

a nucleating agent;

20 a soap base;

a natural starch;

a water soluble thermoplastic polymer;

a blowing agent; and

25 wherein said foam disintegrates when the foam is in contact with water such that the soap base is released from the foam as the foam disintegrates.

22. The cleansing product of claim 21, further comprising destructured starch.

23. The cleansing product of claim 22, wherein the mixture comprises less than about 25% by weight destructured starch.

30 24. The cleansing product of claim 21, wherein the mixture comprises between about 20% and about 50% by weight water soluble disintegrant, between about 10% and about 30% by weight soap base selected from the group consisting of synthetic detergents, fatty acid soaps, and mixtures thereof, between about 5%

and about 10% water soluble thermoplastic polymer, between about 5% and about 10% by weight of a blowing agent, between about 5% and about 10% by weight nucleating agent, between 0% and about 25% destructured starch, and between about 2% and about 10% natural starch.

5           25.    The cleansing product of claim 24, wherein the foam disintegrates in less than about 2 minutes.

          26.    The cleansing product of claim 24, wherein the foam disintegrates upon contact with water.

          27.    The cleansing product of claim 24, wherein said foam disintegrates  
10 over a period of time that is dependent upon the temperature of the water.

          28.    The cleansing product of claim 21, wherein the blowing agent comprises an alcohol.

          29.    The cleansing product of claim 28, wherein the alcohol comprises ethanol.

15           30.    The cleansing product of claim 21, wherein the water soluble disintegrant comprises dextrin.

          31.    The cleansing product of claim 30, wherein the water soluble disintegrant comprises maltodextrin.

          32.    The cleansing product of claim 21, wherein the nucleating agent is  
20 food grade talc.

          33.    The cleansing product of claim 21, wherein the water soluble thermoplastic polymer comprises polyvinyl alcohol.

          34.    The cleansing product of claim 21, said mixture further comprising an additive selected from the group consisting of dyes, fragrances, emollients,  
25 vitamins, antioxidants, and mixtures thereof.

          35.    The cleansing product of claim 21, said mixture further comprising an encapsulated additive.

          36.    The cleansing product of claim 21, said mixture further comprising an abrasion enhancing additive.

30           37.    A process for producing an extruded cleansing product comprising:  
          forming a mixture, said mixture comprising less than about 25% by weight destructured starch, between about 20% and about 65% by weight water soluble disintegrant, between about 10% and about 30% by weight soap base

selected from the group consisting of detergents, fatty acid soaps, and mixtures thereof, between about 5% and about 10% by weight nucleating agent, between about 2% and about 10% by weight natural starch, between about 5% and about 10% water soluble thermoplastic polymer, and between about 5% and about 10%  
5 by weight alcohol; and

expanding said mixture by passage through an extruder to form a foam.

38. The process of claim 37, wherein said mixture is formed in a mixer prior to being transferred to said extruder.

10 39. The process of claim 37, wherein said extruder is a single screw extruder.

40. The process of claim 37, wherein said extruder is a twin screw extruder.

15 41. The process of claim 40, wherein said twin screw extruder is a conical twin screw extruder.

42. The process of claim 37, wherein said extruder operates at a screw speed of between about 50 and about 250 rpm.

20 43. The process of claim 37, wherein said extruder defines a feed zone at a temperature of between about 80°C and about 130°C and a nozzle at a temperature of between about 100°C and about 175°C.

44. The process of claim 37, wherein said extruder is a co-extruder.

45. The process of claim 37, further comprising cutting said foam to form an extruded cleansing product of a particular shape.

25 46. The process of claim 45 further comprising attaching two or more shaped extruded cleansing products together to form a conglomerate of cleansing products.

47. The process of claim 45, further comprising embossing said particular shape.

48. The process of claim 37, further comprising molding said foam.

30 49. The process of claim 37, further comprising injection molding said foam.

1/2

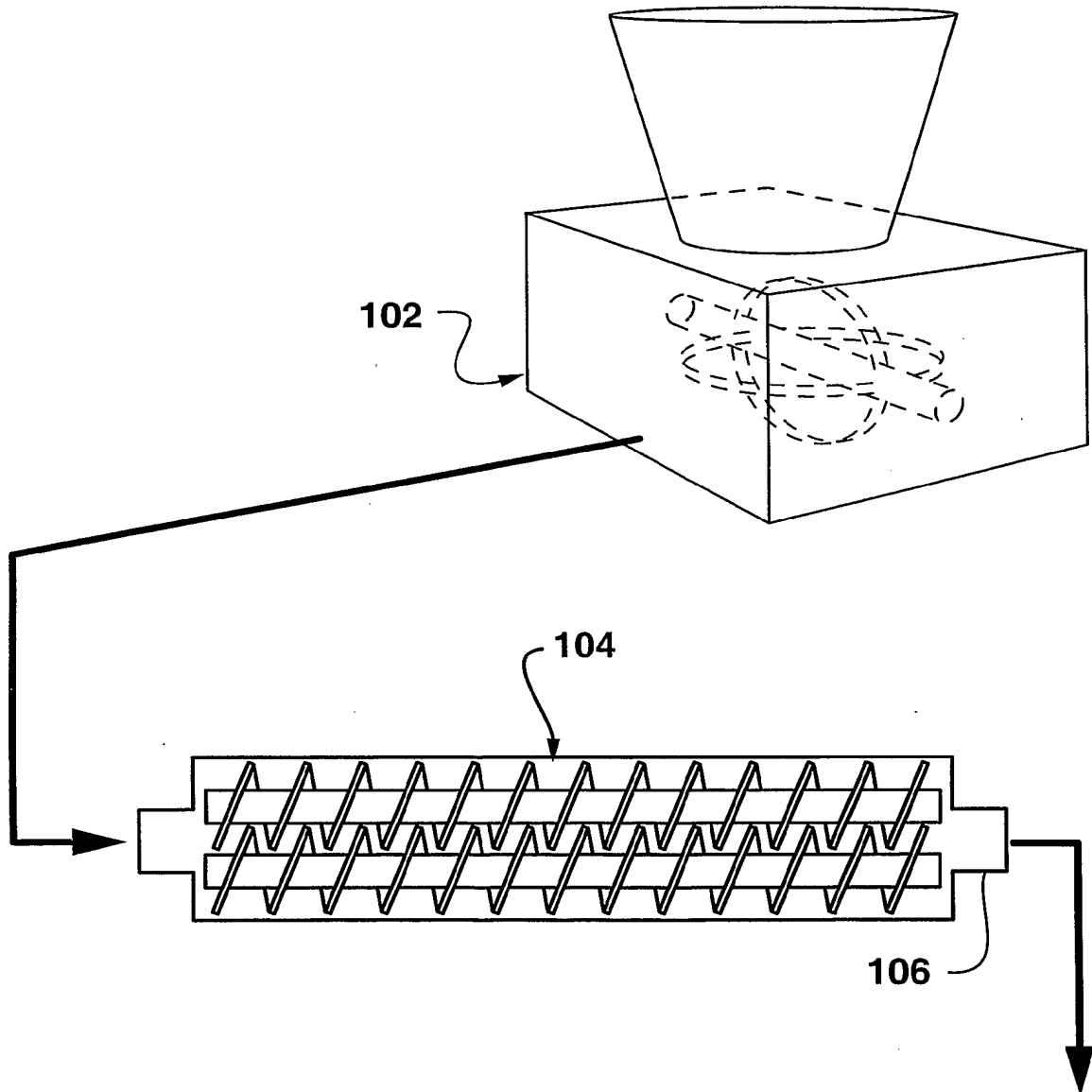


FIG. 1

2/2

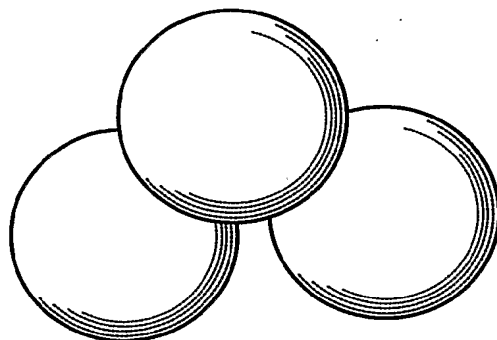


FIG. 2A

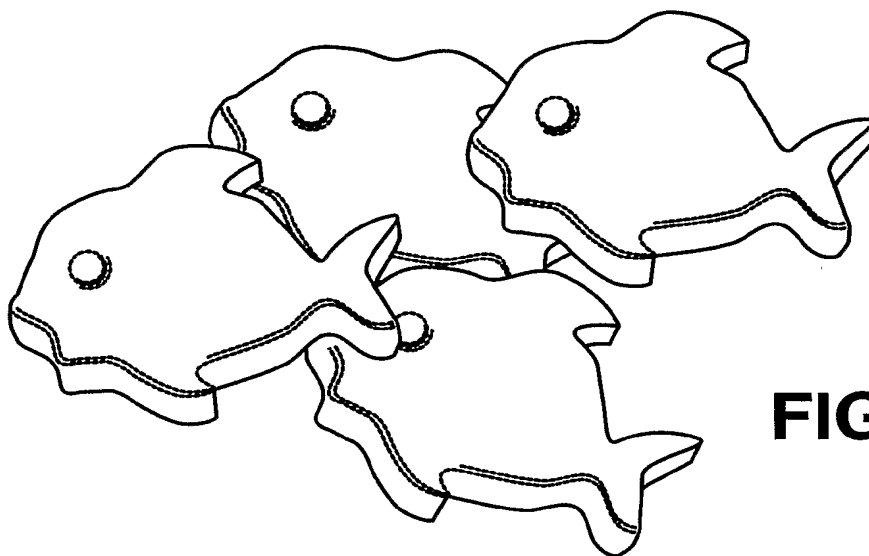


FIG. 2B

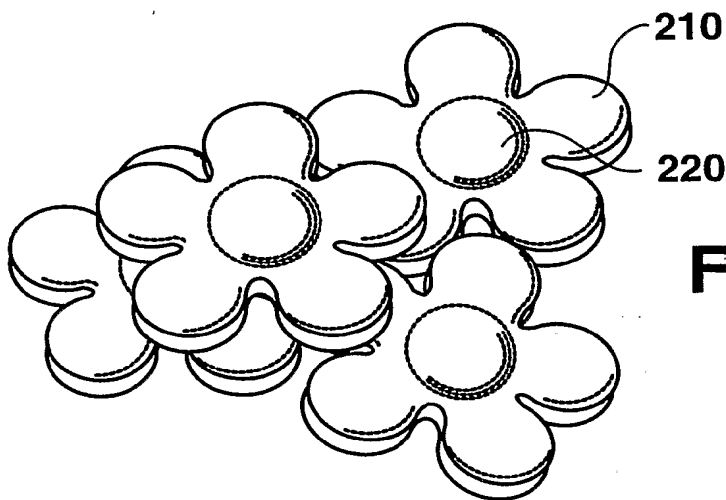


FIG. 2C

INTERNATIONAL SEARCH REPORT

International Application No  
PCT/US 03/24870

A. CLASSIFICATION OF SUBJECT MATTER

IPC 7 C11D3/22 C11D1/22 C11D1/12 C11D3/12 C11D3/37  
C11D3/20 C11D11/00 C11D17/00 A61K7/50

According to International Patent Classification (IPC) or to both national classification and IPC

B. FIELDS SEARCHED

Minimum documentation searched (classification system followed by classification symbols)  
IPC 7 C11D A61K

Documentation searched other than minimum documentation to the extent that such documents are included in the fields searched

Electronic data base consulted during the international search (name of data base and, where practical, search terms used)

EPO-Internal, WPI Data, PAJ

C. DOCUMENTS CONSIDERED TO BE RELEVANT

Category *	Citation of document, with indication, where appropriate, of the relevant passages	Relevant to claim No.
X	WO 01 25390 A (PROCTER & GAMBLE (US)) 12 April 2001 (2001-04-12)  page 2, line 10 - line 23 page 5, line 18 - line 30 page 10, line 15 -page 12, line 13 page 15, line 19 -page 16, line 15 page 21, line 6 - line 26; claims 1-16 ---	1, 6-8, 12-16, 21, 25-29, 33, 34, 37-49
A	US 6 018 033 A (BONGJO SEONG ET AL) 25 January 2000 (2000-01-25) claims 1,11-31  ---  -/--	28, 29

Further documents are listed in the continuation of box C.

Patent family members are listed in annex.

\* Special categories of cited documents :

- \*A\* document defining the general state of the art which is not considered to be of particular relevance
- \*E\* earlier document but published on or after the international filing date
- \*L\* document which may throw doubts on priority claim(s) or which is cited to establish the publication date of another citation or other special reason (as specified)
- \*O\* document referring to an oral disclosure, use, exhibition or other means
- \*P\* document published prior to the international filing date but later than the priority date claimed

- \*T\* later document published after the international filing date or priority date and not in conflict with the application but cited to understand the principle or theory underlying the invention
- \*X\* document of particular relevance; the claimed invention cannot be considered novel or cannot be considered to involve an inventive step when the document is taken alone
- \*Y\* document of particular relevance; the claimed invention cannot be considered to involve an inventive step when the document is combined with one or more other such documents, such combination being obvious to a person skilled in the art.
- \* & \* document member of the same patent family

Date of the actual completion of the international search

13 January 2004

Date of mailing of the international search report

21/01/2004

Name and mailing address of the ISA

European Patent Office, P.B. 5818 Patentlaan 2  
NL - 2280 HV Rijswijk  
Tel. (+31-70) 340-2040, Tx. 31 651 epo nl,  
Fax: (+31-70) 340-3016

Authorized officer

Giese, H-H



## INTERNATIONAL SEARCH REPORT

International Application No  
PCT/US 03/24870

## C.(Continuation) DOCUMENTS CONSIDERED TO BE RELEVANT

Category *	Citation of document, with indication, where appropriate, of the relevant passages	Relevant to claim No.
A	GB 2 056 902 A (YONG HWA LEE) 25 March 1981 (1981-03-25) claims 1,3 -----	37
A	WO 01 24990 A (PROCTER & GAMBLE (US)) 12 April 2001 (2001-04-12) claims 1,7,13,14 -----	37
P,A	US 2003/017959 A1 (BAECK ANDRE CESAR ET AL) 23 January 2003 (2003-01-23) paragraphs '0030!', '0085!', '0099!', '0105!; claims 13,20,23 -----	1

## INTERNATIONAL SEARCH REPORT

Information on patent family members

International Application No

PCT/US 03/24870

Patent document cited in search report		Publication date	Patent family member(s)	Publication date
WO 0125390	A	12-04-2001	GB 2355014 A	11-04-2001
			AU 1191201 A	10-05-2001
			AU 7752300 A	10-05-2001
			AU 7752400 A	10-05-2001
			AU 7752500 A	10-05-2001
			AU 7853700 A	10-05-2001
			BR 0014498 A	11-06-2002
			BR 0014501 A	11-06-2002
			BR 0014504 A	04-06-2002
			BR 0014530 A	04-06-2002
			BR 0014549 A	04-06-2002
			CA 2385161 A1	12-04-2001
			CA 2385164 A1	12-04-2001
			CA 2385195 A1	12-04-2001
			CA 2385213 A1	12-04-2001
			CA 2385313 A1	12-04-2001
			CN 1378497 T	06-11-2002
			CN 1399589 T	26-02-2003
			CN 1402778 T	12-03-2003
			CN 1408004 T	02-04-2003
			CN 1408005 T	02-04-2003
			EP 1218160 A1	03-07-2002
			EP 1237996 A1	11-09-2002
			EP 1237997 A1	11-09-2002
			EP 1237698 A2	11-09-2002
			EP 1218484 A1	03-07-2002
			JP 2003511485 T	25-03-2003
			JP 2003511501 T	25-03-2003
			JP 2003511502 T	25-03-2003
			JP 2003511392 T	25-03-2003
JP 2003511517 T	25-03-2003			
WO 0125393 A1	12-04-2001			
WO 0124990 A1	12-04-2001			
WO 0125322 A1	12-04-2001			
WO 0125323 A1	12-04-2001			
WO 0125390 A2	12-04-2001			
US 6018033	A	25-01-2000	AU 7478498 A	08-12-1998
			WO 9851694 A2	19-11-1998
GB 2056902	A	25-03-1981	DE 2925915 A1	08-01-1981
			CA 1150022 A1	19-07-1983
			ES 8102725 A1	01-05-1981
			FR 2459831 A1	16-01-1981
			IT 1198334 B	21-12-1988
			SE 441277 B	23-09-1985
			SE 8004607 A	28-12-1980
WO 0124990	A	12-04-2001	GB 2355014 A	11-04-2001
			GB 2355008 A	11-04-2001
			GB 2361928 A	07-11-2001
			GB 2366795 A	20-03-2002
			AU 1191201 A	10-05-2001
			AU 7752300 A	10-05-2001
			AU 7752400 A	10-05-2001
			AU 7752500 A	10-05-2001
			AU 7853700 A	10-05-2001
			BR 0014498 A	11-06-2002

## INTERNATIONAL SEARCH REPORT

Information on patent family members

International Application No

PCT/US 03/24870

Patent document cited in search report	Publication date	Patent family member(s)	Publication date	
WO 0124990	A	BR 0014501 A	11-06-2002	
		BR 0014504 A	04-06-2002	
		BR 0014530 A	04-06-2002	
		BR 0014549 A	04-06-2002	
		CA 2385161 A1	12-04-2001	
		CA 2385164 A1	12-04-2001	
		CA 2385195 A1	12-04-2001	
		CA 2385213 A1	12-04-2001	
		CA 2385313 A1	12-04-2001	
		CN 1378497 T	06-11-2002	
		CN 1399589 T	26-02-2003	
		CN 1402778 T	12-03-2003	
		CN 1408004 T	02-04-2003	
		CN 1408005 T	02-04-2003	
		EP 1218160 A1	03-07-2002	
		EP 1237996 A1	11-09-2002	
		EP 1237997 A1	11-09-2002	
		EP 1237698 A2	11-09-2002	
		EP 1218484 A1	03-07-2002	
		JP 2003511485 T	25-03-2003	
		JP 2003511501 T	25-03-2003	
		JP 2003511502 T	25-03-2003	
		JP 2003511392 T	25-03-2003	
		JP 2003511517 T	25-03-2003	
		WO 0125393 A1	12-04-2001	
		WO 0124990 A1	12-04-2001	
		WO 0125322 A1	12-04-2001	
		WO 0125323 A1	12-04-2001	
		WO 0125390 A2	12-04-2001	
		AU 7853600 A	10-05-2001	
BR 0014532 A	04-06-2002			
CA 2385249 A1	12-04-2001			
CN 1378444 T	06-11-2002			
EP 1237542 A1	11-09-2002			
JP 2003510454 T	18-03-2003			
WO 0124779 A1	12-04-2001			
US 2003017959	A1	23-01-2003	GB 2374082 A	09-10-2002
			CA 2439424 A1	17-10-2002
			CA 2439523 A1	17-10-2002
			EP 1373463 A1	02-01-2004
			EP 1373464 A1	02-01-2004
			WO 02081616 A1	17-10-2002
			WO 02081617 A1	17-10-2002
US 2003073604 A1	17-04-2003			